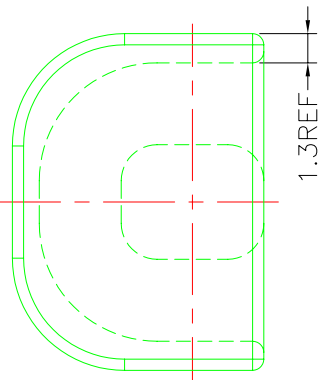
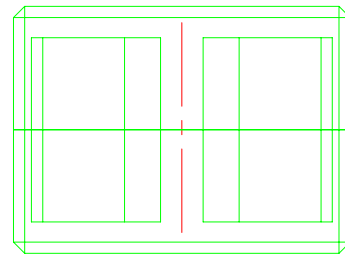
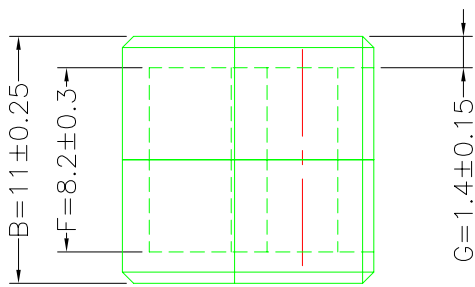
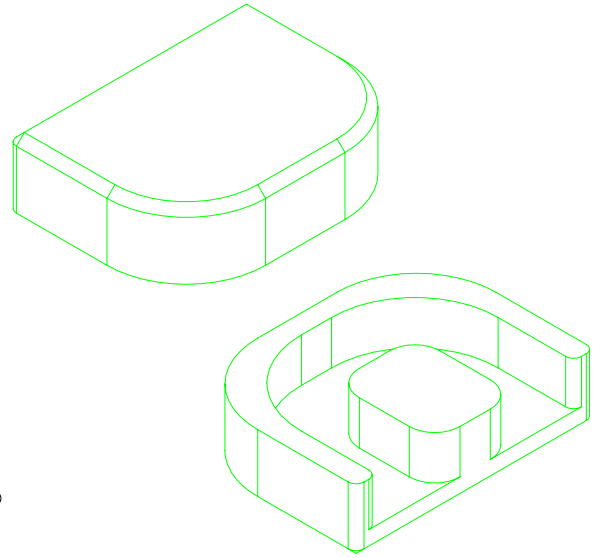
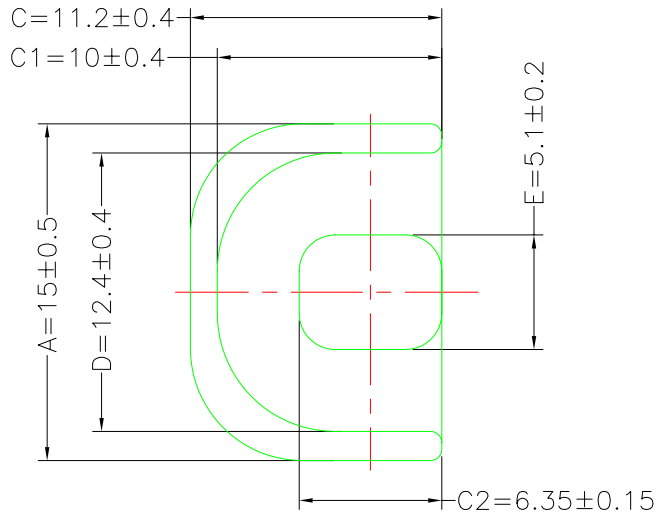




**A-CORE**  
ELECTRICAL CO.

A-CORE JIANGMEN ELECTRONICS CO.,LTD  
 江門安磁電子有限公司  
 Tel : 86-750-3867791 Fax : 86-750-3867787

REVISIONS				
REV	SYM	DRAFTER	CHECKER	DATE
①		X.H.GU	G.F.YANG	06/07/12
②				
③				

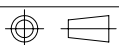


Core Set Parameters

$A_e=33.5\text{mm}^2$   
 $L_e=36.6\text{mm}$   
 $C1=1.09\text{mm}^2$   
 $V_e=1226.1\text{mm}^3$

DWG NO. ATP15/11 CORE

PART NO.	MATERIAL (CORE)	MATERIAL (TERMINAL)	TERMINAL (PLATING)	PIN ALLOCATION	NOTE
ATP15/11	JPP-44A				
ATP15/11	JPP-95				



TOLERANCE:  $0 < L \leq 4: \pm 0.1$   $4 < L \leq 16: \pm 0.2$   $16 < L \leq 63: \pm 0.3$

UNIT : m/m

SCALE 1 : 1

REV 1

**A-CORE**A-CORE JIANGMEN ELECTRONICS CO.,LTD  
江門安磁電子有限公司**TBI**TRANSFORMER BOBBIN  
INDUSTRIAL CO.,LTD.

ELECTRICAL CO. Tel : 86-750-3867791 Fax : 86-750-3867787

Tel : 86-769-88789999 Fax : 86-769-88789989

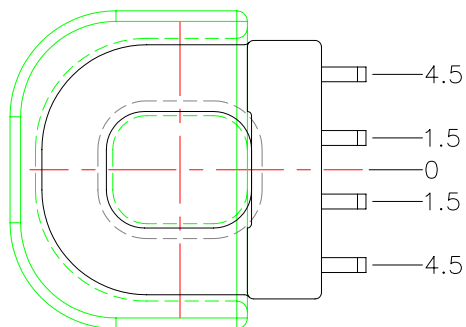
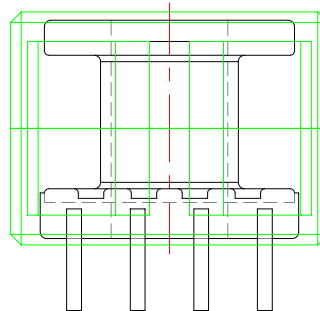
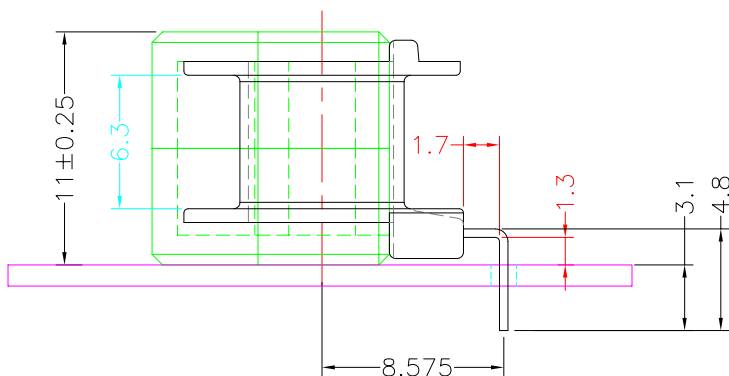
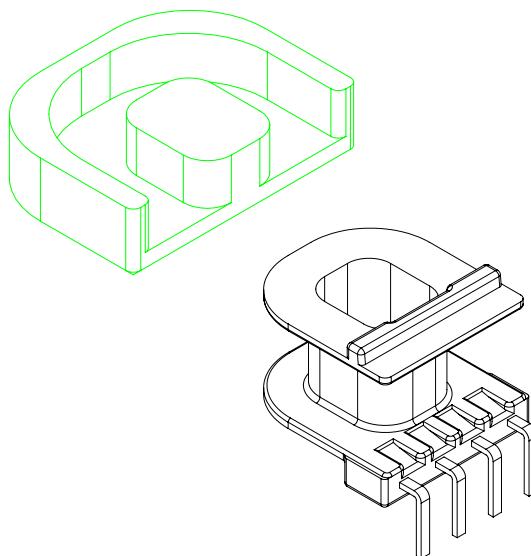
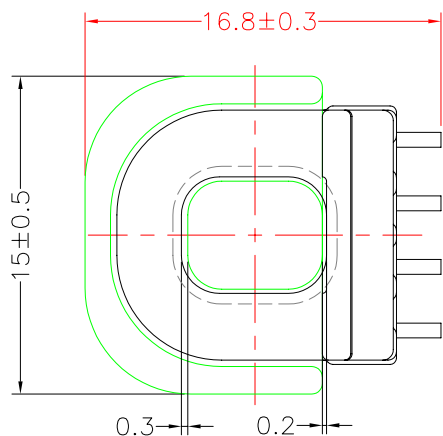
e-mail : sales@acore-ferrite.com

http:// tbi-tw.com e-mail : tb6688@ms46.hinet.net

## REVISIONS

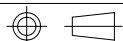
REV	SYM	DRAFTER	CHECKER	DATE
△1		X.H.GU	G.F.YANG	08/14/18
△2				
△3				

## TOP



## BOTTOM

ITEM	PART NO.	MATERIAL	DWG NO.	Core Set Parameters
CORE	ATP15/11	JPP-44A		$A_e=33.5\text{mm}^2$ $L_e=36.6\text{mm}$ $C_1=1.09\text{mm}^{-1}$ $V_e=1226.1\text{mm}^3$
CORE	ATP15/11	JPP-95		
BOBBIN	TBI-238-27241.11XX		ATP15-11-4P-TL-2D-11	



UNIT : m/m

SCALE 1 : 1

REV 1